

# M5226P/FP

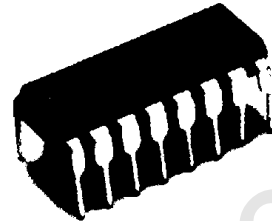
## 5-ELEMENT GRAPHIC EQUALIZER IC

### DESCRIPTION

The M5226 is a 5-element graphic equalizer IC best suited to audio systems. It has a built-in 5-element resonance circuits with transistor system and an output OP amp. The IC can be used in hybrid ICs and compact sets of high-density assemblies. Its applications include radio cassette tape players, car audio systems, and music centers.

### FEATURES

- The number of part can be reduced drastically for compact size.
- Graphic equalizer can be easily composed
- Low distortion ..... THD = 0.02% (typ)  
@ Flat input short
- Low noise .....  $V_{NO} = 5\mu V_{rms}$  (typ)  
@  $f = 1kHz$ , Flat
- Large allowable input voltage .....  $V_i = 2.3V_{rms}$  (typ)  
@  $V_{CC} = 9V$ ,  $f = 1kHz$ , Flat



Outline 16P4(P)

2.54mm pitch 300mil DIP  
(6.3mm × 19.0mm × 3.3mm)

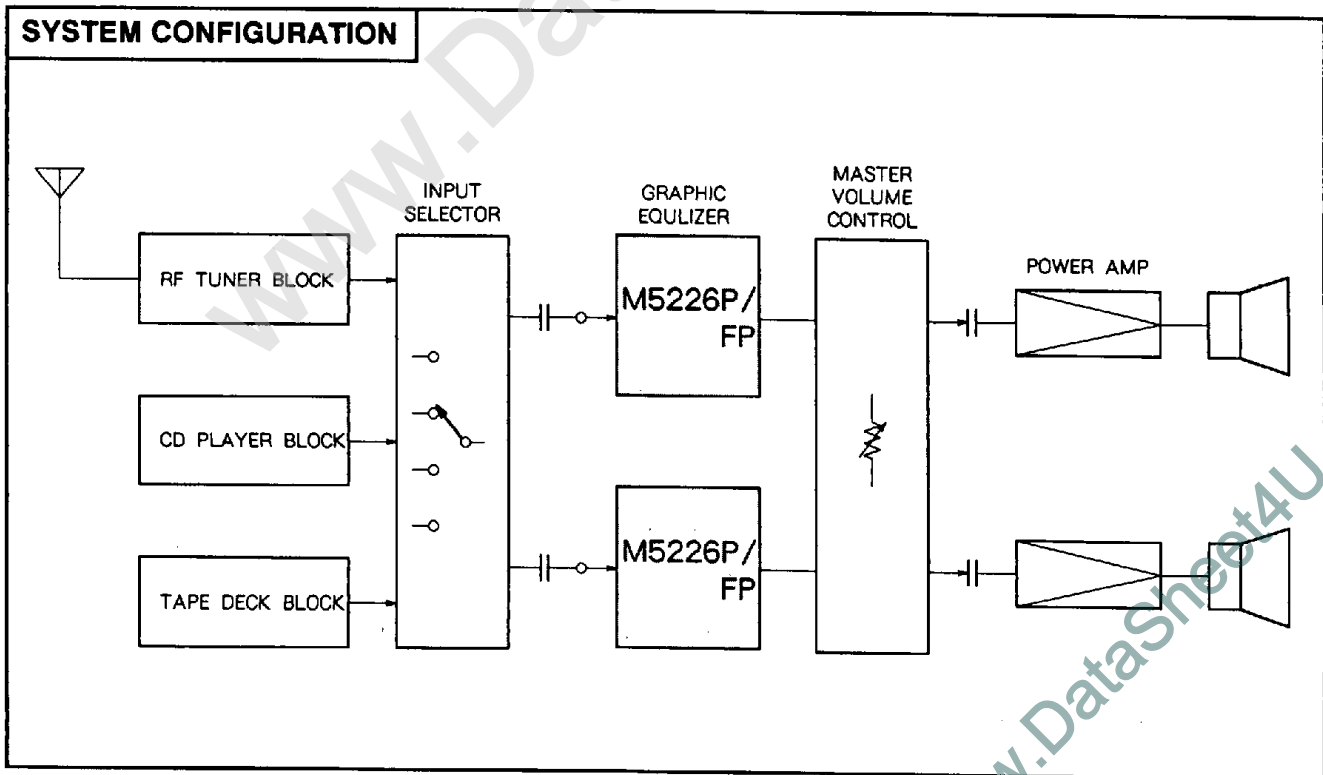


Outline 16P2S-A(FP)

1.27mm pitch 225mil SOP  
(4.4mm × 10.0mm × 1.5mm)

### RECOMMENDED OPERATING CONDITIONS

- Supply voltage range .....  $V_{CC} = 4$  to  $20V$
- Rated supply voltage .....  $V_{CC} = 20V$
- Rated power dissipation .....  $700mW$  (P)  
 $550mW$ (FP)



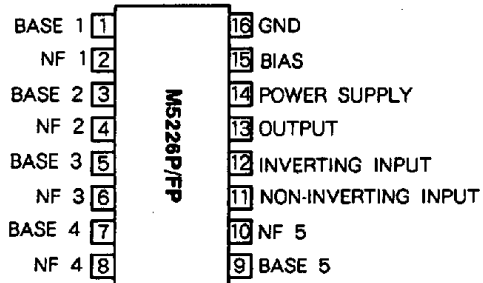
6249826 0022425 307



**M5226P/FP**

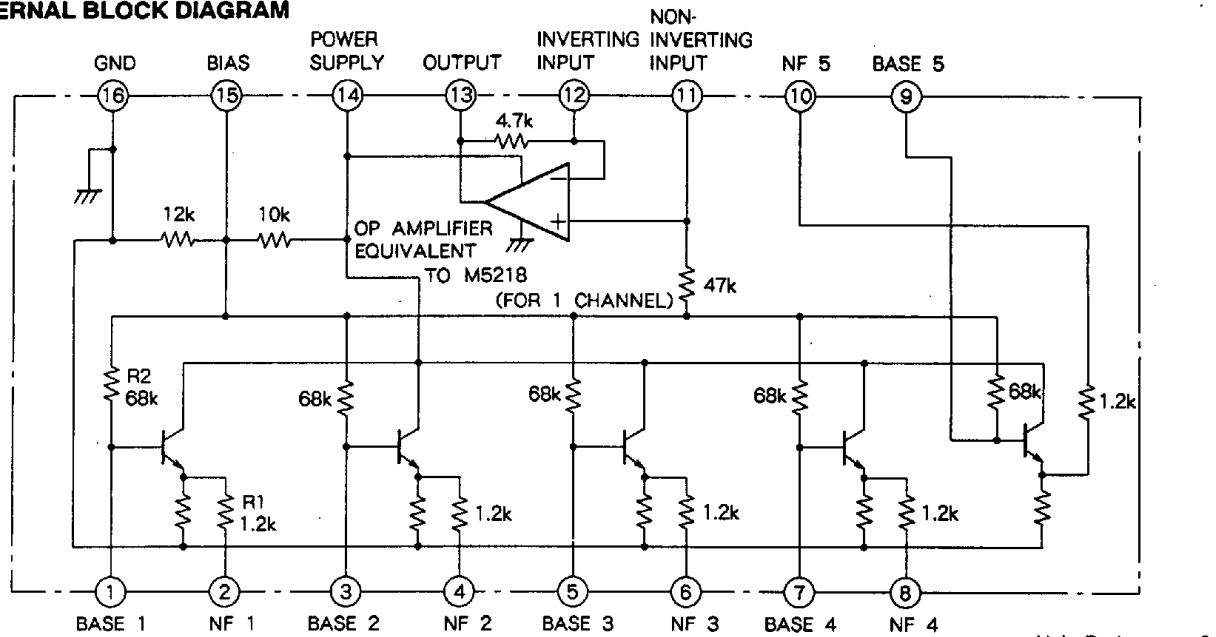
**5-ELEMENT GRAPHIC EQUALIZER IC**

**PIN CONFIGURATION (TOP VIEW)**



Outline 16P4(P)  
16P2S-A(FP)

**IC INTERNAL BLOCK DIAGRAM**



# M5226P/FP

## 5-ELEMENT GRAPHIC EQUALIZER IC

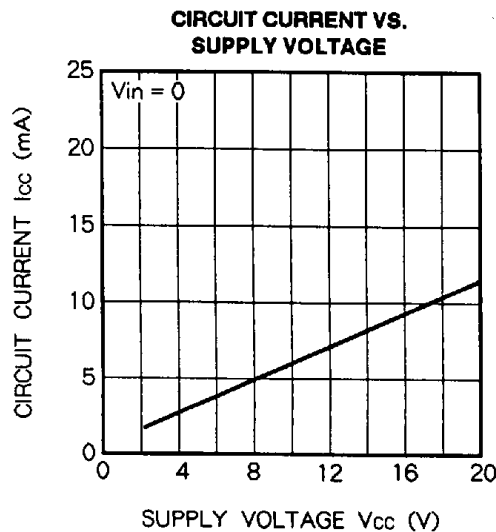
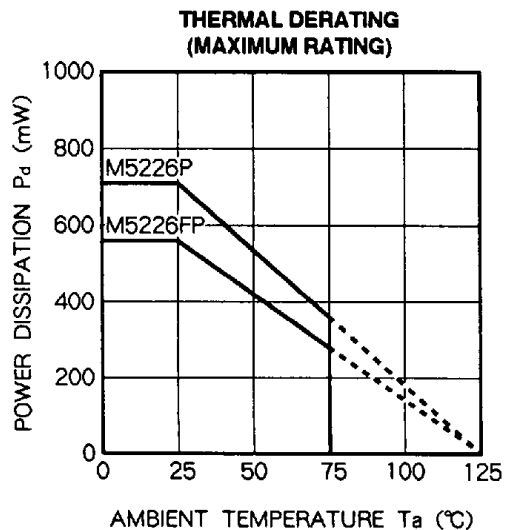
### ABSOLUTE MAXIMUM RATINGS (Ta = 25°C, unless otherwise noted)

Symbol	Parameter	Ratings	Unit
Vcc	Supply voltage	20	V
ILP	Load current	30	mA
Pd	Power dissipation	550(FP)/1000(DIP)	mW
Topr	Operating temperature	- 20 to + 75	°C
Tstg	Storage temperature	- 55 to + 125	°C

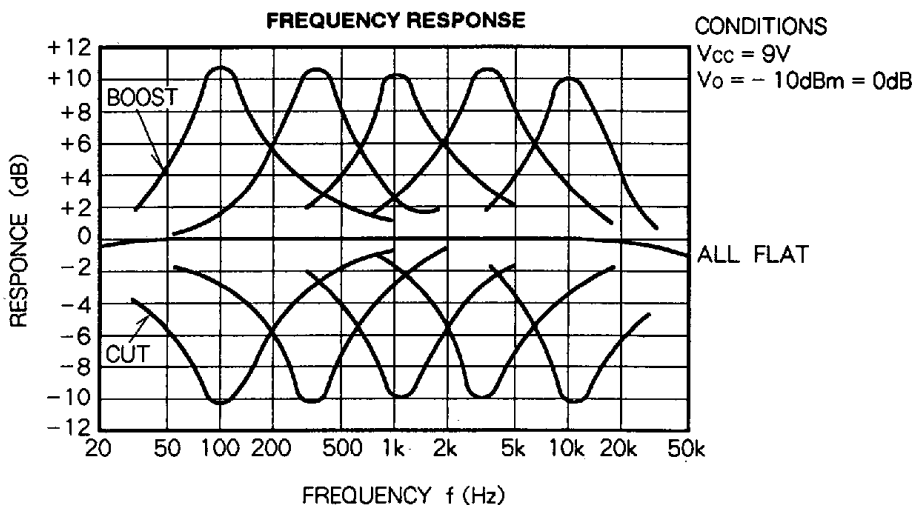
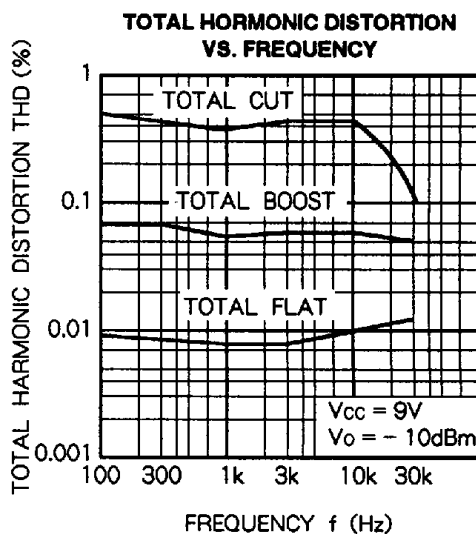
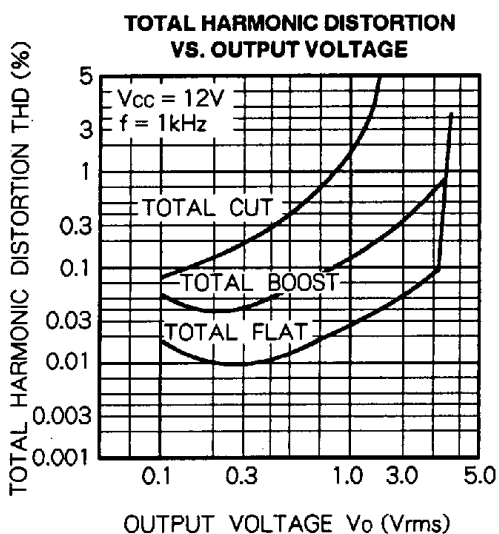
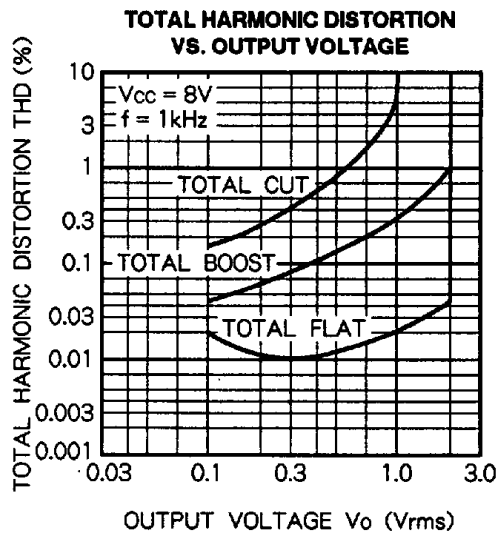
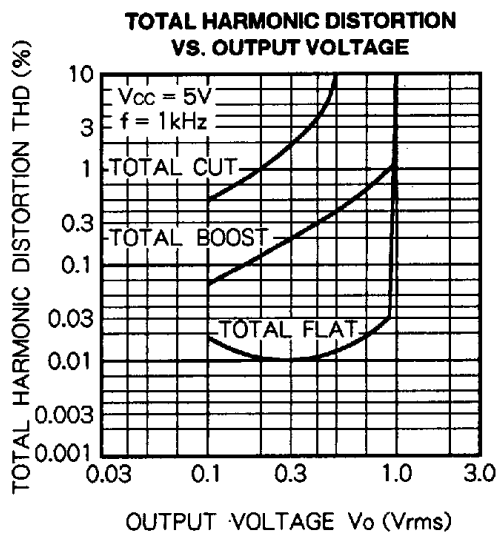
### ELECTRICAL CHARACTERISTICS (Ta = 25°C, Vcc = 9V)

Symbol	Parameter	f (Hz)	Test conditions	Limits			Unit
				Min	Typ	Max	
Icc	Circuit current	-	V <sub>in</sub> = 0	3.0	5.2	8.0	mA
Gv(FLAT)	Flat	1k	V <sub>in</sub> = - 10dBm	- 3.8	- 0.8	+ 2.2	dB
Gv(BOOST)	Boost	108	V <sub>in</sub> = - 10dBm	7.2	9.7	11.2	dB
		343		7.2	9.7	11.2	
		1.08k		7.2	9.7	11.2	
		3.43k		7.2	9.7	11.2	
		10.8k		7.2	9.7	11.2	
Gv(CUT)	Cut	108	V <sub>in</sub> = - 10dBm	- 12.8	- 11.3	- 8.8	dB
		343		- 12.8	- 11.3	- 8.8	
		1.08k		- 12.8	- 11.3	- 8.8	
		3.43k		- 12.8	- 11.3	- 8.8	
		10.8k		- 12.8	- 11.3	- 8.8	
THD	Total harmonic distortion	1k	V <sub>in</sub> = 1Vrms	-	0.02	0.1	%
Vno	Output noise voltage	Input short BW: 10Hz to 30kHz (3dB) flat		-	5.0	20	μVrms

### TYPICAL CHARACTERISTICS

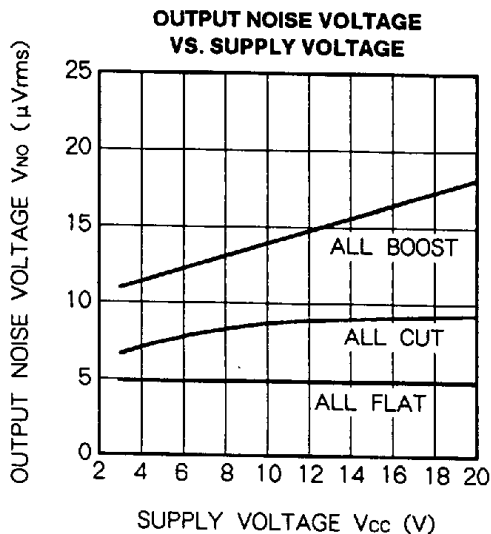
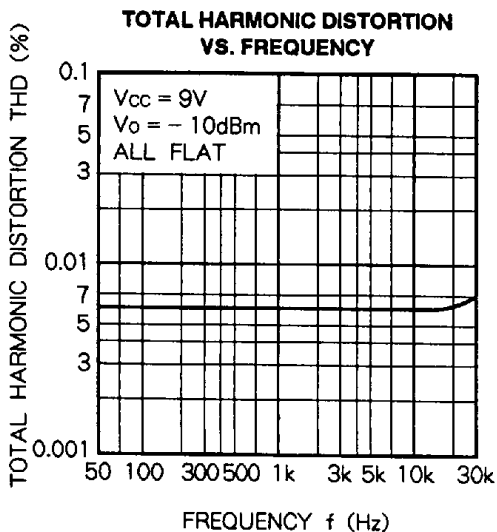
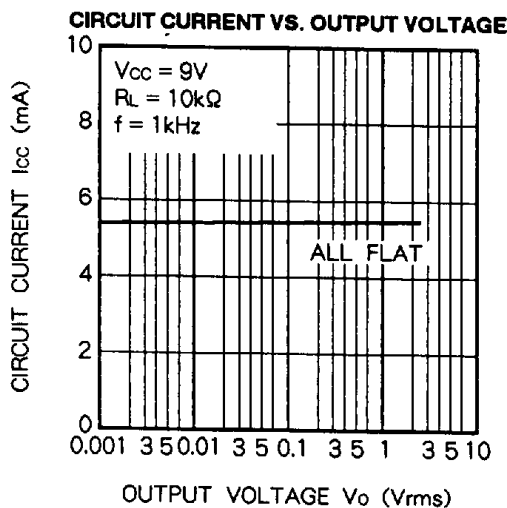
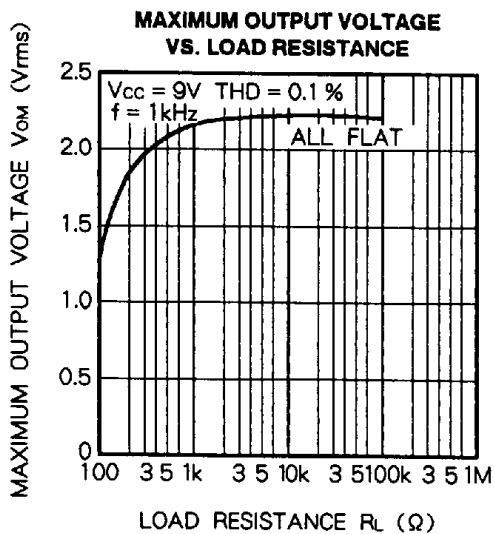
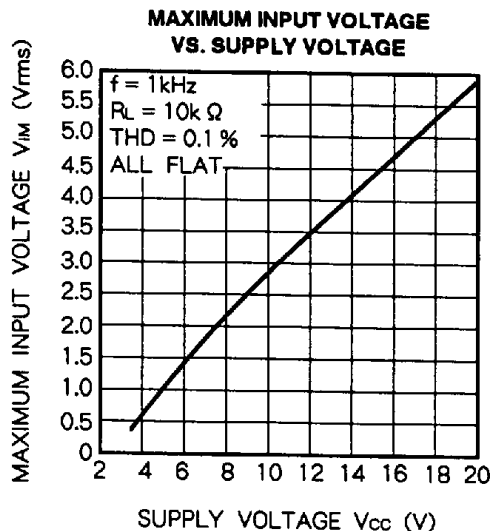
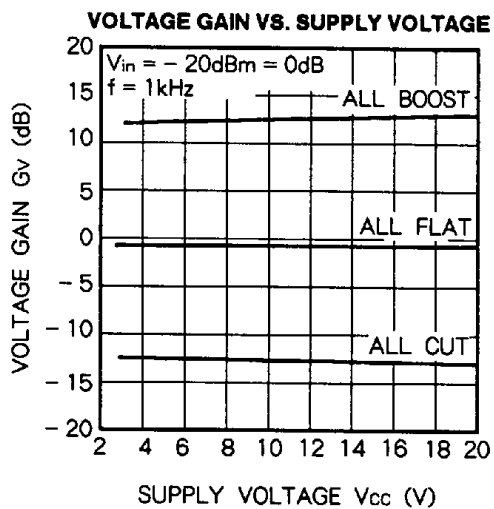


5-ELEMENT GRAPHIC EQUALIZER IC



M5226P/FP

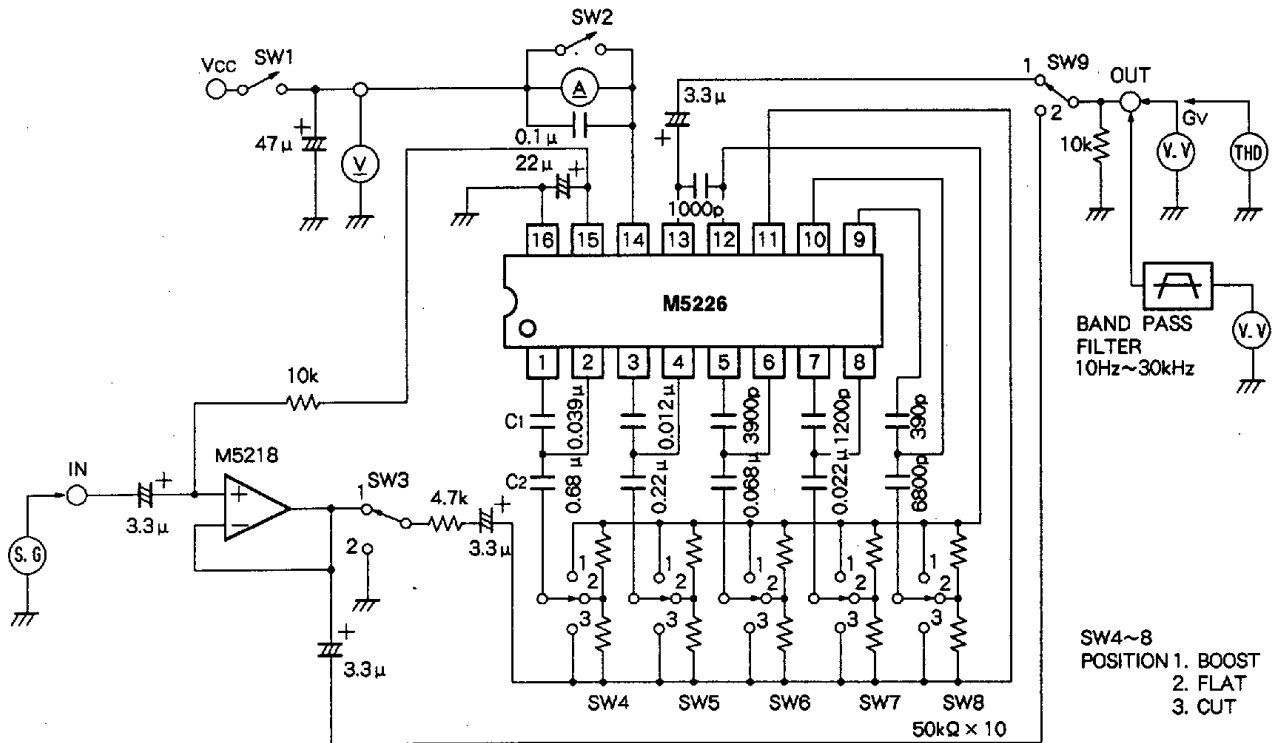
5-ELEMENT GRAPHIC EQUALIZER IC



M5226P/FP

5-ELEMENT GRAPHIC EQUALIZER IC

**TEST CIRCUIT** (Circuit current  $I_{cc}$ , Voltage gain  $G_v$ , Total harmonic distortion THD, Output noise voltage  $V_{No}$ )



Units Resistance :  $\Omega$   
Capacitance : F

**TEST CIRCUIT SWITCH MATRIX**

Test item	SW2	SW3	SW4	SW5	SW6	SW7	SW8	SW9	
$I_{cc}$	OFF	1	○	○	○	○	○	1	
$G_v(FLAT)$	ON	1	2	2	2	2	2	1	
$G_v(BOOST)$	$f = 108\text{Hz}$	ON	1	2	2	2	2	1	
	$f = 343\text{Hz}$	ON	1	2	1	2	2	1	
	$f = 1.08\text{kHz}$	ON	1	2	2	1	2	1	
	$f = 3.43\text{kHz}$	ON	1	2	2	2	1	2	1
	$f = 10.8\text{kHz}$	ON	1	2	2	2	2	1	1
$G_v(CUT)$	$f = 108\text{Hz}$	ON	1	3	2	2	2	1	
	$f = 343\text{Hz}$	ON	1	2	3	2	2	1	
	$f = 1.08\text{kHz}$	ON	1	2	2	3	2	1	
	$f = 3.43\text{kHz}$	ON	1	2	2	2	3	2	1
	$f = 10.8\text{kHz}$	ON	1	2	2	2	2	3	1
THD	ON	1	2	2	2	2	2	1	
$V_{No}(ALLFLAT)$	ON	2	2	2	2	2	2	1	

Note: The mark "○" applies to both 1 and 2



M5226P/FP

5-ELEMENT GRAPHIC EQUALIZER IC

APPLICATION EXAMPLE (7-ELEMENT)

